



Project _____

Item No. _____

Quantity _____

ELECTRIC FLOOR TILT SKILLET- GEAR BOX TILT

- Model IES-30 30 gallon electric floor tilting skillet with manual gear box tilt
- Model IES-40 40 gallon electric floor tilting skillet with manual gear box tilt

CONSTRUCTION

- #4 Satin finish 10 gauge stainless steel pan with polished interior
- One piece covered corner stainless steel pan with angled front for easy pour
- Narrow foot print
- 5/8" thick stainless steel clad plate
- Permanent lubricated, self-contained gear box tilt mechanism
- Welded stainless steel tubular legs with bullet feet on front legs and flanged adjustable feet on back legs, all adjustable

OPERATION

- Integrally mounted controls
- Power switch
- Thermostat with OFF position
- Thermostat indicator light
- High temperature cut-off
- 160-445°F (71-230°C) temperature range

STANDARD FEATURES

- Spring assist hinged stainless steel cover with handle
- No drip condensate guide
- Removable pour strainer
- Manual tilt action
- Standard voltage options
 - 208 VAC, 1 phase, 50/60 Hz
 - 208 VAC, 3 phase, 50/60 Hz
 - 240 VAC, 1 phase, 50/60 Hz
 - 240 VAC, 3 phase, 50/60 Hz
- One year parts and labor warranty



OPTIONS AND ACCESSORIES (AT ADDITIONAL CHARGE)

Voltage Options

- 220 VAC, 3 phase, 50/60 Hz
- 380 VAC, 3 phase, 50/60 Hz
- 415 VAC, 3 phase, 50/60 Hz
- 480 VAC, 3 phase, 50/60 Hz
- 220/380 VAC, 3 phase, 50/60 Hz
- 240/415 VAC, 3 phase, 50/60 Hz
- 600 VAC, 3 phase, 60 Hz

Faucets

- Single pantry faucet with swing spout
- Double pantry faucet with swing spout

Etched markings

- Gallons
- Litres

Draw off valves

- 2" (50 mm) draw off valve (mounted on left side)
- 3" (76 mm) draw off valve (mounted on left side)
- Steam pan insert
- Pan carrier (40 gallon only)
- Correctional package

IES | ELECTRIC FLOOR TILT SKILLET - GEAR BOX TILT



IES | ELECTRIC FLOOR TILT SKILLET - MANUAL GEAR BOX TILT

MAXIMUM INPUT:

IES-30	12 kW
IES-40	15 kW (18 kW available)

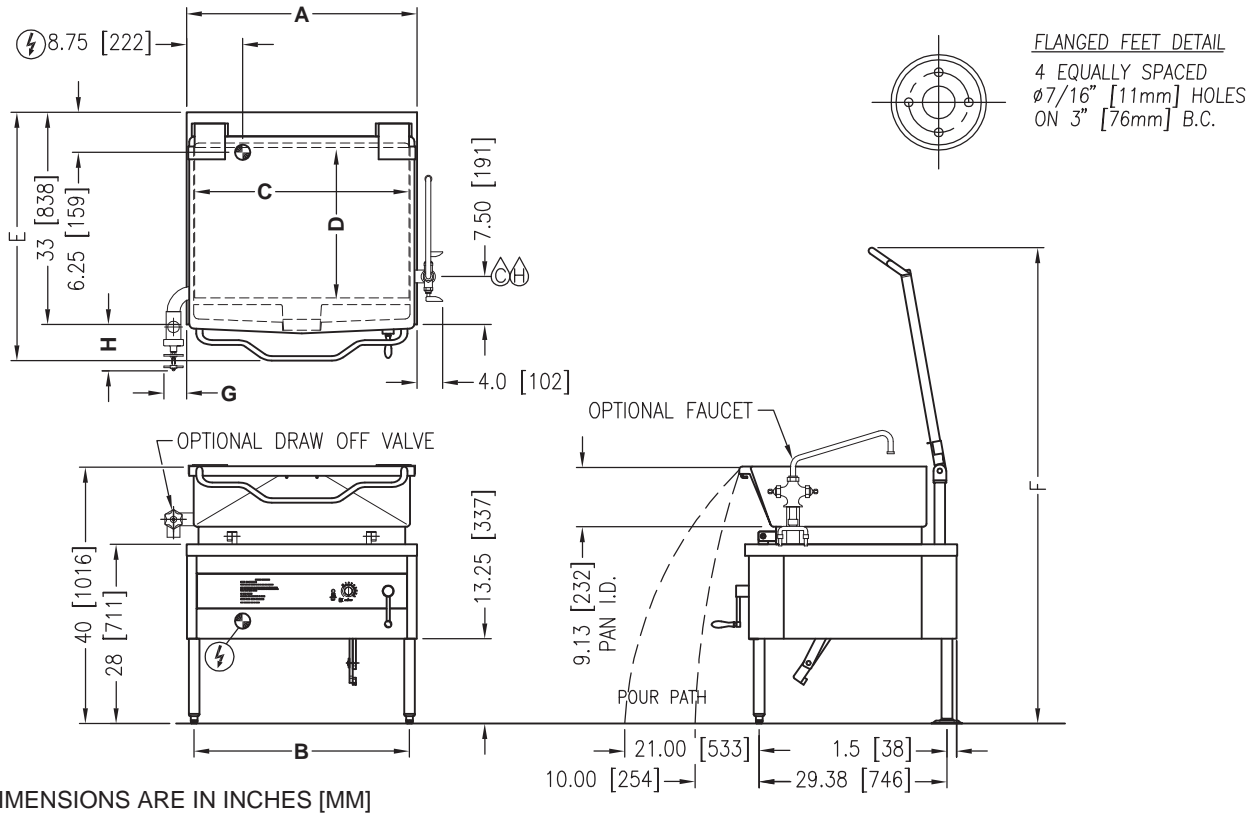
POWER CONNECTION:

Refer to data plate.

SHORT FORM SPECIFICATIONS

Provide Intek model IES-30, 30 gallon (114 litre) or IES-40 (152 litre) electric floor skillet with manual gear box tilt. The controls enclosure shall provide a degree of protection against dripping and light splashing water and shall include a thermostat with OFF position and a range of 160-445°F (71-229°C), a thermostat indicator light, pan tilt switch that shuts elements off if tilted more than 5°, and high temperature cut-off set at 536°F (280°C). The unit shall have a one-piece coved corner, 10 gauge stainless steel pan with #4 exterior finish and polished interior. Cooking surface shall be 5/8" thick stainless clad plate ensuring even heat transfer over entire cooking surface. The base exterior shall be of all stainless steel construction supported by an all welded 1-5/8" (41mm) stainless steel pipe frame with adjustable bullet feet and rear legs fitted with flanged adjustable feet for securing to the floor. Unit shall have permanent lubricated, self-contained gear box tilt mechanism to allow the pan to tilt forward for complete emptying of contents. Provide options and accessories as indicated.

Available kW			AMPS PER LINE								
MODEL	STD.	OPT.	kW	PHASE	208V	220V	240V	380V	415V	480V	600V
IES-30	12	N/A	12	1	57.7	54.5	50.0	N/A	N/A	N/A	N/A
				3	33.3	31.5	28.9	18.2	16.7	14.4	11.5
IES-40	15	18	15	1	72.1	68.2	62.5	N/A	N/A	N/A	N/A
				3	41.6	39.4	36.1	22.8	20.9	18.0	14.4
			18	1	86.5	81.8	75.0	N/A	N/A	N/A	N/A
				3	50.0	47.2	43.3	27.3	25.0	21.7	17.3



MODEL	CAPACITY	UNITS	A	B	C	D	E	F	G		H	
IES-30	30 gallons 114 litres	inches	36.0	33.63	33.50	23.50	38.88	74.38	ø2	ø3	ø2	ø3
		mm	914	854	851	597	987	1889				
IES-40	40 gallons 152 litres	inches	48.0	45.63	43.50	23.0	39.38	73.75	3.6	5.5	7.3	13.1
		mm	1219	1159	1105	584	1000	1899				