



Project _____

Item No. _____

Quantity _____

ELECTRIC TILT SKILLET

Model IELTS-30 30 gallon electric tilting skillet with power tilt
Model IELTS-40 40 gallon electric tilting skillet with power tilt

CONSTRUCTION

- #4 Satin finish 10 gauge stainless steel pan with polished interior front hinged for easy tilting
- Coved corners
- 5/8" thick stainless steel clad plate
- Tubular heating elements clamped to underside of pan
- Welded stainless steel pipe frame with bullet feet on front legs and flanged adjustable feet on back legs
- Front control console

OPERATION

- Integrally mounted controls
- Power switch
- Thermostat
- Cook indicator light
- High temperature cut-off
- Tilt switch
- 160-445°F (71-230°C) temperature range

STANDARD FEATURES

- Electric motor driven screw jack for smooth and precise tilting
- Spring assist hinged stainless steel cover with handle
- No drip condensate guide
- Removable pour strainer
- Manual control
- Standard voltage options
 - 208 VAC, 1 phase, 50/60 Hz
 - 240 VAC, 1 phase, 50/60 Hz
 - 208 VAC, 3 phase, 50/60 Hz
 - 240 VAC, 3 phase, 50/60 Hz
- One year parts and labor warranty



OPTIONS AND ACCESSORIES (AT ADDITIONAL CHARGE)

Voltage options

- 220 VAC, 1 phase, 50/60 Hz
- 220 VAC, 3 phase, 50/60 Hz
- 220/380 VAC, 3 phase, 50/60 Hz
- 240/415 VAC, 3 phase, 50/60 Hz
- 480 VAC, 3 phase, 50/60 Hz
- 600 VAC, 3 phase, 60 Hz

Faucets

- Single pantry faucet with swing spout
- Double pantry faucet with swing spout

Etched markings

- Gallons
- Litres
- 18 kW elements (40 gallon pans only)
- Steam pan insert
- Pan carrier
- Correctional package



IELTS | ELECTRIC TILT SKILLET

MAXIMUM INPUT:

IELTS-30 12 kW
 IELTS-40 15 kW (18 kW available)

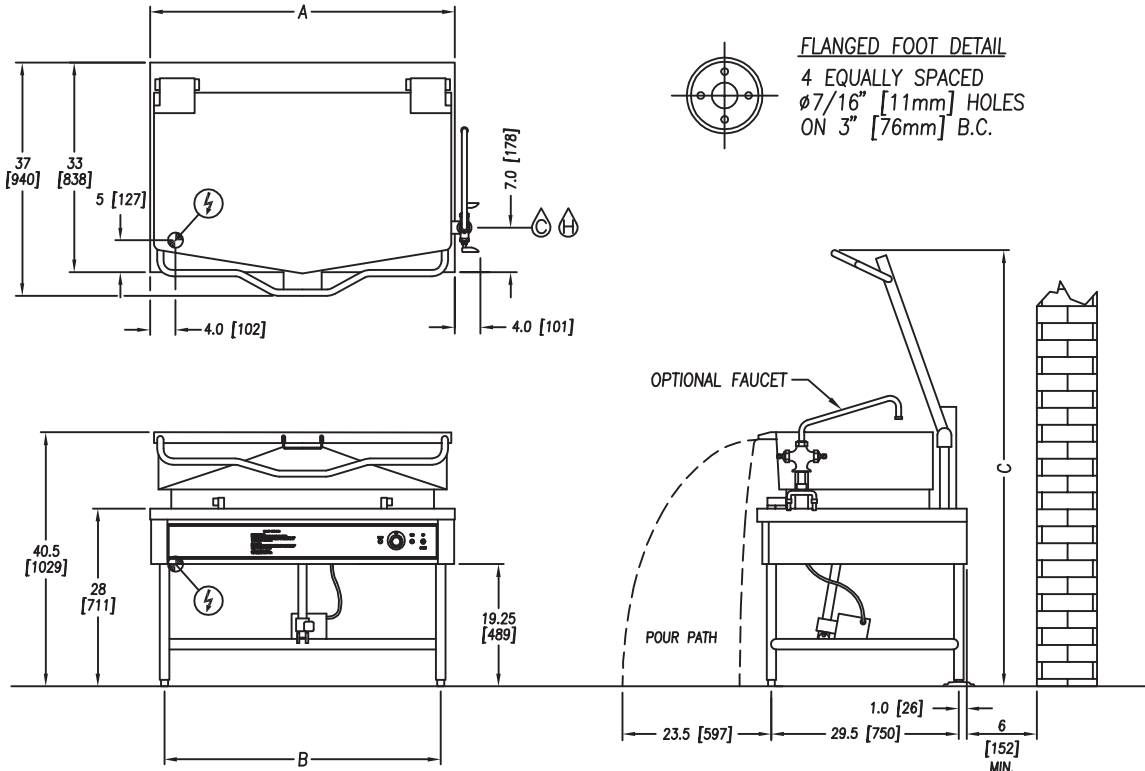
POWER CONNECTION:

Refer to data plate.

SHORT FORM SPECIFICATIONS

Provide Intek model IELTS-30, 30 gallon (114 litre) or IELTS-40 (152 litre) electrical skillet with power tilt. The controls shall be integrally mounted in the right hand console and shall include a power switch, tilt switch, thermostat with range of 160-445°F (71-230°C), a cook indicator light and high temperature cut-off. Unit shall include spring assisted hinged stainless steel cover, with handle, no drip condensate guide and removable pour strainer. The unit shall have a one-piece covered corner, 10 gauge stainless steel pan with #4 exterior finish and polished interior. The pan body shall be front hinged for tilting and easy pour control. Cooking surface shall be 5/8" thick stainless steel clad plate ensuring even heat distribution over entire cooking surface. The pan shall be fitted with tubular heating elements clamped to the underside. Unit shall be mounted on stainless steel tubular legs with front legs fitted with adjustable bullet feet and rear legs fitted with flange adjustable feet for securing to the floor. Tilting is controlled by an electric motor driven screw jack for smooth and precise tilting action. Provide options and accessories as indicated.

Available kW			AMPS PER LINE								
MODEL	STD.	OPT.	kW	PHASE	208V	220V	240V	380V	415V	480V	600V
IELTS-30	12	N/A	12	1	57.7	54.5	50.0	N/A	N/A	N/A	N/A
				3	33.3	31.5	28.9	18.2	16.7	14.4	11.5
IELTS-40	15	18	15	1	72.1	68.2	62.5	N/A	N/A	N/A	N/A
				3	41.6	39.4	36.1	22.8	20.9	18.0	14.4
			18	1	86.5	81.8	75.0	N/A	N/A	N/A	N/A
				3	50.0	47.2	43.3	27.3	25.0	21.7	17.3



DIMENSIONS ARE IN INCHES [MM]

MODEL	CAPACITY	UNITS	A	B	C
IELTS-30	30 gallons	inches	36.0	33.5	74
	114 litres	mm	914	851	1880
IELTS-40	40 gallons	inches	48.0	45.5	74
	152 litres	mm	1219	1156	1880