



Project _____

Item No. _____

Quantity _____

ELECTRIC COUNTER KETTLE- GEAR BOX TILT

- Model IECT-6 6 gallon (23 litres) electric kettle with gear box tilt
- Model IECT-10 10 gallon (38 litres) electric kettle with gear box tilt
- Model IECT-12 12 gallon (45 litres) electric kettle with gear box tilt

CONSTRUCTION

- Water resistant construction
- 304 stainless steel construction
- 316 stainless steel interior cooking surface for added corrosion resistance
- 2/3 jacketed with factory sealed distilled water enclosure
- Hemispherical design on bottom of kettle for superior heat circulation
- Stainless steel control housing
- Stainless steel console and trunnion
- Concealed mounting lugs for bolting unit to counter top

OPERATION

- Electrically self-generated closed steam system
- Integrally mounted controls
- Power switch
- Thermostat
- Cook indicator light
- Pressure gauge
- Safety valve
- Low water light
- Low water shut off
- 165-290°F (75-140°C) temperature range
- 50 PSI maximum pressure

STANDARD FEATURES

- Removable elements
- Hand crank, smooth action, self-locking tilt mechanism for positive stop action that tilts past 90°
- Solid state temperature control
- Mounts to countertop
- Standard voltage options
 - 208 VAC, 1 or 3 phase, 60 Hz
 - 240 VAC, 1 or 3 phase, 60 Hz
- One year parts and labor warranty



OPTIONS AND ACCESSORIES (AT ADDITIONAL CHARGE)

Voltage options

- 220 VAC, 1 phase, 50/60 Hz
- 220 VAC, 3 phase, 50/60 Hz
- 380 VAC, 3 phase, 50/60 Hz
- 415 VAC, 3 phase, 50/60 Hz
- 480 VAC, 3 phase, 50/60 Hz
- 220/380 VAC, 3 phase, 4 wire, 50/60 Hz
- 240/415 VAC, 3 phase, 4 wire, 50/60 Hz
- 600 VAC, 3 phase, 60 Hz

Faucets

- Single pantry faucet with swing spout
- Double pantry faucet with swing spout

Etched markings

- Gallons
- Litres

Stands

- 18" (46 mm) high stainless steel stand with sliding shelf
- 18" (46 mm) high stainless steel stand with sliding drawer and stationary drain
- One piece stainless steel lift off cover
- Stainless steel perforated basket
- Graduated measuring strip
- Pour strainer
- Correctional package



IECT | ELECTRIC COUNTER KETTLE- GEAR BOX TILT

MAXIMUM INPUT:

IECT-6	7.5 kW
IECT-10	12 kW
IECT-12	12 kW

POWER CONNECTION:

Refer to data plate.

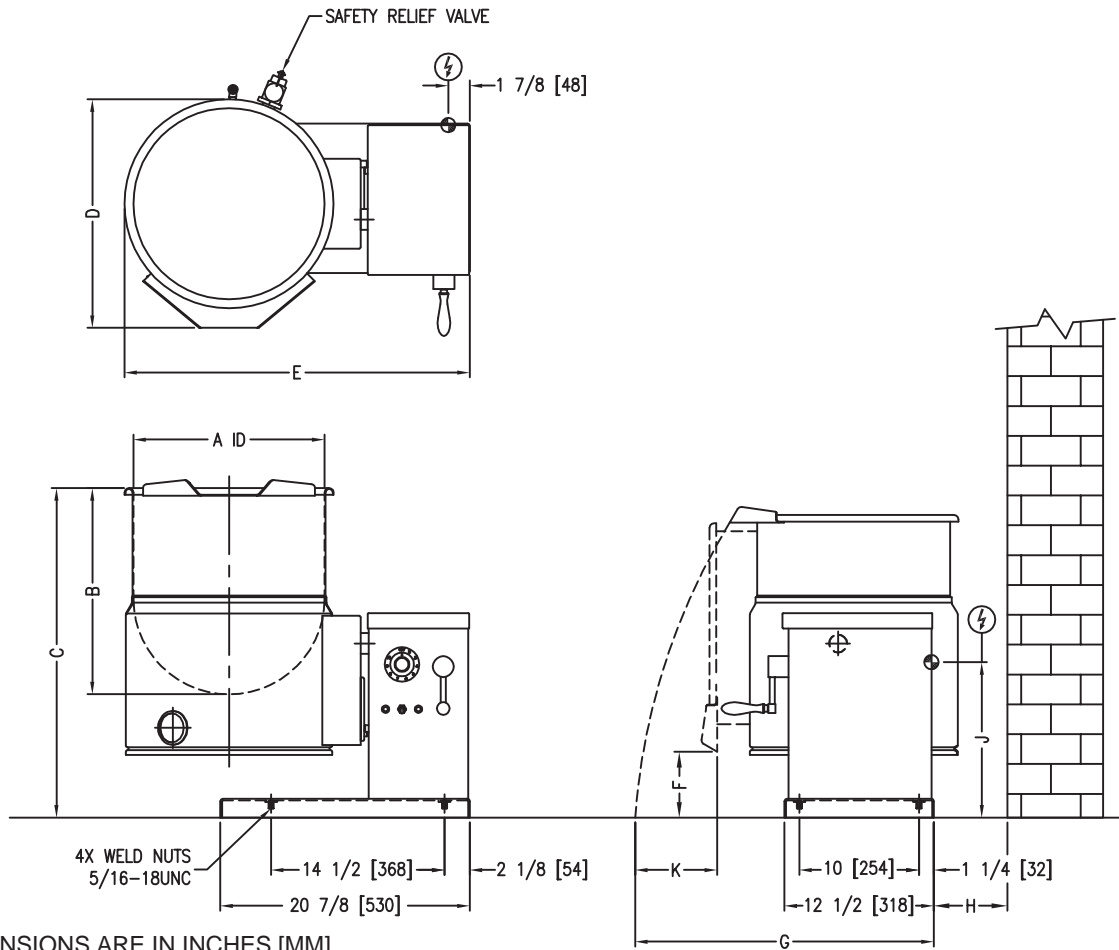
MAXIMUM PRESSURE:

All Models 50 PSI (345 kPa)

SHORT FORM SPECIFICATIONS

Provide Intek model IECT-6 (6 gallon), IECT-10 (10 gallon) or IECT-12 (12 gallon) electrically heated counter kettle with gear box tilt mechanism. The controls shall be integrally mounted, water resistant, and shall include a power switch, thermostat with range of 165-290°F (75-140°C), a cook indicator light, pressure gauge, low water shut off, low water light and safety valve. Construction shall be of all welded satin finish 304 stainless steel. The interior cooking surface shall be 316 stainless steel. The unit shall have a double wall interior to form a steam jacket around the lower 2/3 of the kettle. The jacket enclosure shall contain distilled water which is factory sealed. The bottom of the kettle shall be of hemispherical design for superior heat circulation. The unit base shall include the kettle mounting lugs concealed inside a rectangular enclosure and a stainless steel mechanism housing. The unit shall have a permanently lubricated, self locking, self contained gear box tilt mechanism for smooth action, easy one hand tilting. Unit shall be ASME constructed and National Board registered. Provide options and accessories as indicated.

MODEL	kW	PHASE	AMPS PER LINE					
			208V	220V	240V	380V	415V	480V
IECT-6	7.5	1	36.0	34.1	31.3	N/A	N/A	N/A
		3	20.8	19.7	18.1	11.4	10.4	9.0
IECT-10/12	12.0	1	57.6	54.5	50.0	N/A	N/A	N/A
		3	33.3	31.5	28.9	18.3	16.7	14.5



MODEL	A	B	C	D	E	F	G	H	J	K
IECT-6	12[305]	14.38[365]	25[635]	15.25[387]	25.125[638]	4[102]	28[711]	6.125[156]	13[330]	12.75[324]
IECT-10	16[406]	15[381]	25.3[643]	19.125[486]	28.875[734]	4[102]	28[711]	6.125[156]	13[330]	12.75[324]
IECT-12	16[406]	17.25[438]	27.56[700]	19.125[486]	28.875[734]	4[102]	30[762]	6.125[156]	13[330]	12.75[324]